

Nyloc Insert Nut

Thread Type: UNC / BSW - Coarse

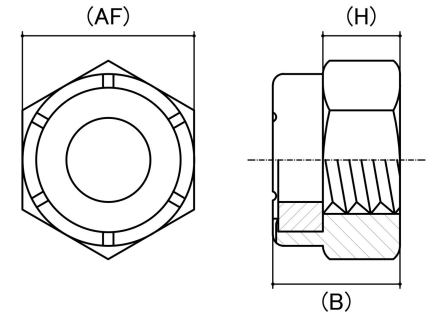
Thread Direction: Right Hand

Material: Stainless Steel

Class Grade: A2-70 G304

Corrosion Protection Level: Excellent

Standard: NM Series



*Cad Drawings shown for graphic representation only.**

Size	Thread Pitch (TPI)	Thread Type	Overall Nut Height (B) (mm)		Hex Height (H) (mm)	Across Flats (AF) (mm)		Spanner Size (AF) (inches)	sku (Part Number)
			Min	Max	Nom	Min	Max		
#2-56	56 TPI	Coarse	3.40	3.90	2.06	6.12	6.37	1/4"	41NSC256
#3-48	48 TPI	Coarse	3.40	3.90	2.06	6.12	6.37	1/4"	41NSC348
#4-40	40 TPI	Coarse	3.40	3.90	2.06	6.12	6.37	1/4"	41NSC440
#5-40	40 TPI	Coarse	3.40	3.90	2.06	6.12	6.37	1/4"	41NSC540
#6-32	32 TPI	Coarse	4.30	4.70	2.62	7.68	7.96	5/16"	41NSC632
#8-32	32 TPI	Coarse	5.70	6.00	3.70	8.44	8.74	11/32"	41NSC832
#10-24 (3/16")	24 TPI	Coarse	5.80	6.30	3.70	9.20	9.53	3/8"	41NSC1024
1/4"	20 TPI	Coarse	7.55	8.35	5.72	10.88	11.16	7/16"	41NSC14
5/16"	18 TPI	Coarse	8.35	9.10	6.35	12.43	12.76	1/2"	41NSC516
3/8"	16 TPI	Coarse	11.10	11.90	8.51	14.00	14.28	9/16"	41NSC38
7/16"	14 TPI	Coarse	11.10	11.90	8.23	15.55	15.88	5/8"	41NSC716
1/2"	13 TPI	Coarse	14.70	15.45	11.79	18.70	19.05	3/4"	41NSC12
5/8"	11 TPI	Coarse	18.67	20.00	15.07	23.42	23.83	15/16"	41NSC58
3/4"	10 TPI	Coarse	21.80	22.60	18.90	26.73	27.03	1-1/8"	41NSC34
7/8"	9 TPI	Coarse	24.60	25.40	20.07	31.48	31.81	1-5/16"	41NSC78

Size	Thread Pitch (TPI)	Thread Type	Overall Nut Height (B) (mm)		Hex Height (H) (mm)	Across Flats (AF) (mm)		Spanner Size (AF) (inches)	sku (Part Number)
			Min	Max	Nom	Min	Max		
1"	8 TPI	Coarse	25.70	27.40	20.96	36.25	36.58	1-1/2"	41NSC1

Disclaimer:

Dimensional data and technical information was obtained from publically available sources and not acquired through standard agencies. It has been completed and compiled for reference purposes only; where discrepancies are found they are subject to change without notice. Bolt & Nut Australia makes no warranties or representations regarding the accuracy and validity of the compiled information and data. Contact the relevant standard authorities for accurate and detailed information.

* Cad Drawings may not reflect diameter, thread length or overall length.

© Bolt & Nut Australia Pty Ltd. All rights reserved.

Version: 25 Aug 2024